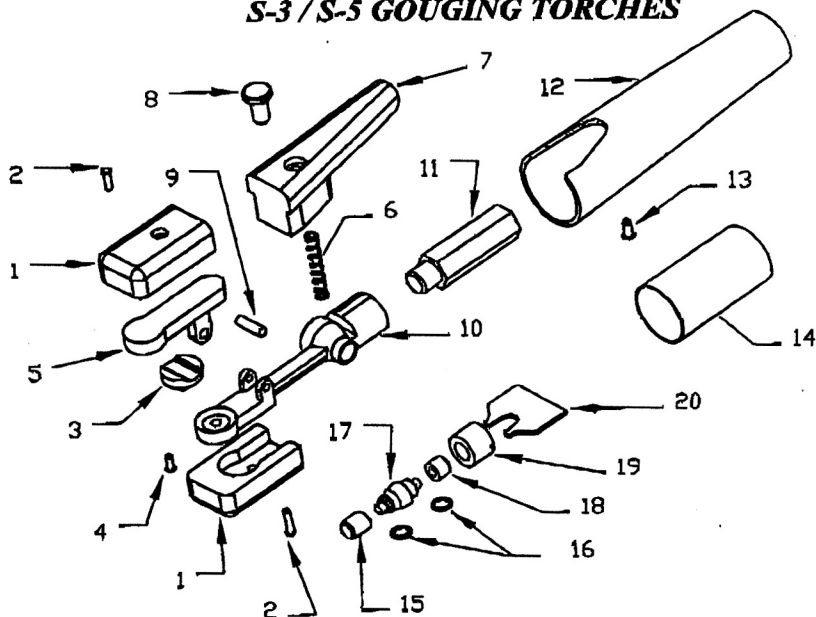




### S-3 / S-5 GOUGING TORCHES



- S-3 TORCH LESS CABLE W/ 3 HOLE HEAD
- S-3 TORCH LESS CABLE W/ "TERMINATOR" SLOTTED HEAD
- S-5 TORCH LESS CABLE W/ 3 HOLE HEAD
- S-5 TORCH LESS CABLE W/ "TERMINATOR" SLOTTED HEAD

- PART#
- 30024
- 30044
- 30040
- 30080

REF.#	DESCRIPTION	S-3#	S-5#
1	INSULATOR ASSEMBLY	10065	10065
2	INSULATOR SCREW	10090	10090
3	"TERMINATOR" SLOTTED HEAD ASSEMBLY	10072	10072
NS	"EDS" SYSTEM HEAD ASSEMBLY	10132	10132
3	3 HOLE HEAD ASSEMBLY	10070	10070
4	HEAD SCREW	10091	10091
5	UPPER ARM	10075	10069
6	SPRING	10076	10081
7	LEVER ASSEMBLY	10073	10073
8	LEVER SCREW	10092	10092
9	DOWEL PIN	10066	10046
10	BODY	10077	10077
11	S-5 BODY EXTENSION	—	10071
12	HANDLE	10078	10078
13	TENSION SCREW	10091	10091
14	S-5 HANDLE EXTENSION	—	10087
	VALVE BONNET ASSEMBLY (includes spool assy., bonnet, wrench)	10060	10060
	VALVE SPOOL ASSY. (includes ref.# 15 thru 18)	10067	10067
15	BUTTON (long)	10063	10063
16	O-RING (2 required)	10064	10064
17	VALVE SPOOL (brass center)	10062	10062
18	BUTTON (short)	10061	10061
19	VALVE BONNET	10068	10068
20	SPANNER WRENCH	10083	10083
NS	WAVE LOCK WASHER FOR HEAD ASSEMBLY	10086	10086